

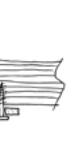
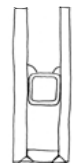










## EeStairs Quality Levels - Metal Details

We are innovators, and we pursue excellence. Our in-house engineers and materials specialists work closely with designers to refine key structural and aesthetic details, with one aim: to produce stairs that are architecturally superb. Crucially, we control the entire stair-making and installation process to ensure that our stairs meet the highest international quality and safety standards.

Below we describe ways metal details can be welded and fixed. At EeStairs the standard is **AA** unless specifically stated:

Grade	<b>B</b> (Not Recommended)	<b>A</b> (Industry Standard)	<b>AA</b> (Our Standard)	<b>AAA</b> (Our Masterpiece)
Description	Fixings are only functional, welding and floor anchors are highly visible.	Fixings are simple and, along with welds, are visible but more crafted.	Fixings are designed to be less visible but welds are still seen.	No visible welds or fixings, the ultimate in engineering detail.
Crafted	✓	✓	✓	✓
Engineered	✗	✓	✓	✓
Detailed	✗	✓	✓	✓
Hidden Fixings	✗	✗	✓	✓
Hidden Welds	✗	✗	✗	✓
Supporting Glass <sup>1</sup>				
Tread Stringer Connection <sup>2</sup>				
Base Detail <sup>3</sup>				

EeStairs Quality Level [AA unless stated]

